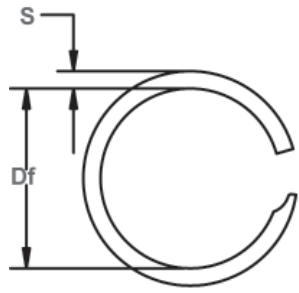


CLM Spiral Shaft Rings

External, Light-Duty, Metric

These single-turn snap rings are ideal for light duty applications.



Free Diameter & Ring Measurements



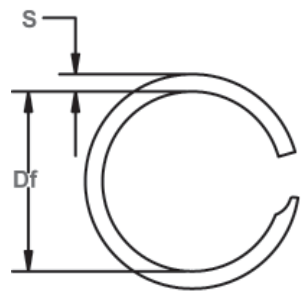
Shaft Diameter & Groove Dimensions

RING NO.	SHAFT DIAMETER (mm)	GROOVE SIZE				FREE DIAMETER		RING SIZE THICKNESS		SECTION		THRUST LOAD (kN)		R.P.M. LIMITS Standard Material (Carbon Steel)
		DIAMETER		WIDTH		Df	Tol.	T	Tol.	S	Tol.	RING Safety factor of 3	GROOVE Safety factor of 2	
		Ds	Dg	Tol.	W									
CLM-6*	6	5.70		0.38		5.65		0.30		0.51		1.99	0.44	51561
CLM-7*	7	6.64		0.38		6.58		0.30		0.51		2.23	0.61	39742
CLM-8*	8	7.60		0.46		7.52	+0.00	0.38		0.64		3.18	0.78	40518
CLM-9*	9	8.50		0.46		8.42	-0.25	0.38		0.76		3.58	1.11	35627
CLM-10*	10	9.40		0.46		9.32	+0.00	0.38		0.89		3.98	1.46	31833
CLM-11	11	10.40		0.46		10.32	-0.30	0.38		0.89		4.38	1.61	25202
CLM-12	12	11.34	±0.05	0.56		11.22		0.46		1.14		5.78	1.93	30875
CLM-13	13	12.28		0.56		12.15		0.46		1.14		6.26	2.28	26805
CLM-14	14	13.28		0.56	+0.05	13.15		0.46		1.14		6.74	2.46	22359
CLM-15	15	14.28		0.56	-0.00	14.14		0.46		1.14		7.22	2.63	19625
CLM-16	16	15.28		0.56		15.13		0.46		1.14		7.71	2.81	17364
CLM-17	17	16.28		0.56		16.13	+0.00	0.46	±0.04	1.14		8.19	2.98	14958
CLM-18	18	17.28		0.56		17.12	-0.33	0.46		1.14		8.67	3.16	13439
CLM-19	19	18.28		0.56		18.11		0.46		1.14		9.15	3.33	12140
CLM-20	20	19.28		0.56		19.10		0.46		1.14		9.63	3.51	11066
CLM-21	21	19.94		0.66		19.74		0.53		1.65		11.65	5.42	15326
CLM-22	22	20.94	±0.08	0.66		20.73		0.53		1.65		12.21	5.68	13341
CLM-24	24	22.94		0.66		22.72		0.53		1.65		13.32	6.20	11035
CLM-25	25	23.94		0.66		23.71		0.53		1.65	±0.10	13.87	6.46	10214
CLM-26	26	24.88		0.79		24.63		0.64		2.24		15.14	7.10	12483
CLM-28	28	26.88		0.79		26.62		0.64		2.24		16.30	7.64	10648
CLM-29	29	27.88		0.79		27.61		0.64		2.24		16.88	7.91	9973
CLM-30	30	28.88		0.79		28.59	+0.00	0.64		2.24		17.47	8.19	9534
CLM-32	32	30.88	±0.10	0.79		30.57	-0.38	0.64		2.24		18.63	8.73	8437
CLM-34	34	32.88		0.79		32.56		0.64		2.24		19.80	9.28	7398
CLM-35	35	33.88		0.79		33.55		0.64		2.24		20.38	9.55	7004
CLM-36	36	34.88		0.79		34.54		0.64		2.24		20.96	9.83	6641
CLM-38	38	36.88		0.79		36.52		0.64		2.24		22.12	10.37	5994
CLM-40	40	38.52		0.99	+0.08	38.09		0.79		3.00		28.75	14.43	7573
CLM-42	42	40.52	±0.13	0.99	-0.00	40.07	+0.00	0.79		3.00		30.19	15.15	6888
CLM-45	45	43.52		0.99		43.04	-0.51	0.79		3.00		32.34	16.23	6021
CLM-48	48	46.52		0.99		46.01		0.79		3.00		34.50	17.31	5309
CLM-50	50	48.52		0.99		47.99		0.79		3.00		35.93	18.03	4901
CLM-52	52	50.06		0.99		49.48		0.79		4.01		37.37	24.58	6057
CLM-55	55	53.06	±0.15	0.99		52.46		0.79	±0.05	4.01		39.53	26.00	5380
CLM-56	56	54.06		0.99		53.44		0.79		4.01		40.25	26.47	5238
CLM-58	58	56.06		0.99		55.42	+0.00	0.79		4.01		41.68	27.42	4890
CLM-60	60	58.06		0.99		57.40	-0.64	0.79		4.01		43.12	28.36	4575
CLM-62	62	60.06		0.99		59.37		0.79		4.01		44.56	29.31	4323
CLM-63	63	61.06		0.99		60.35		0.79		4.01		45.28	29.78	4220
CLM-65	65	63.06		0.99		62.33		0.79		4.01		46.72	30.73	3967

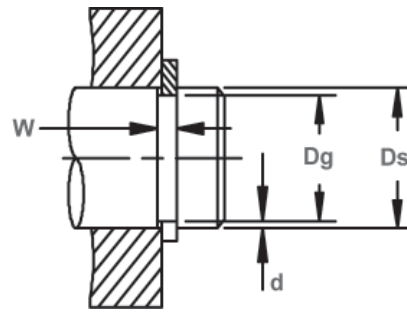
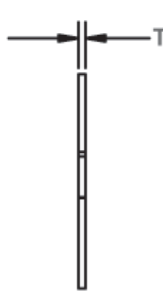
* No Removal Notch.

ALL DIMENSIONS IN MILLIMETERS UNLESS OTHERWISE STATED.





Free Diameter & Ring Measurements



Shaft Diameter & Groove Dimensions

RING NO.	SHAFT DIAMETER (mm)	GROOVE SIZE				RING SIZE				SECTION		THRUST LOAD (kN)		R.P.M. LIMITS Standard Material (Carbon Steel)
		DIAMETER		WIDTH		FREE DIAMETER		THICKNESS		S	Tol.	RING Safety factor of 3	GROOVE Safety factor of 2	
		Ds	Dg	Tol.	W	Tol.	Df	Tol.	T					
CLM-68	68	66.06		0.99		65.31		0.79		4.01		48.87	32.15	3602
CLM-70	70	68.06		0.99		67.29	+0.00	0.79		4.01	±0.10	50.31	33.09	3402
CLM-72	72	70.06		0.99		69.27	-0.64	0.79		4.01		51.75	34.04	3218
CLM-75	75	73.06		0.99		72.25		0.79		4.01		53.90	35.45	2949
CLM-78	78	75.66		1.12		74.85		0.99		4.78		70.25	44.48	3158
CLM-80	80	77.66	±0.15	1.12	+0.08	76.82		0.99		4.78		72.05	45.62	3025
CLM-82	82	79.66		1.12	-0.00	78.79		0.99		4.78		73.85	46.76	2900
CLM-85	85	82.66		1.12		81.76	+0.00	0.99		4.78		76.55	48.47	2703
CLM-88	88	85.66		1.12		84.73	-0.76	0.99		4.78		79.26	50.18	2526
CLM-90	90	87.66		1.12		86.69		0.99		4.78		81.06	51.32	2443
CLM-95	95	92.66		1.12		91.66		0.99		4.78		85.56	54.17	2174
CLM-100	100	97.66		1.12		96.62		0.99		4.78		90.06	57.02	1955
CLM-105	105	102.20		1.32		101.13		1.17		5.72		106.44	71.64	2082
CLM-110	110	107.20		1.32		106.08		1.17		5.72		111.51	75.05	1902
CLM-115	115	112.20		1.32		111.03	+0.00	1.17		5.72	±0.13	116.58	78.47	1745
CLM-120	120	117.20		1.32		115.98	-0.89	1.17		5.72		121.65	81.88	1606
CLM-125	125	122.20		1.32		120.93		1.17		5.72		126.71	85.29	1483
CLM-130	130	127.20		1.32		125.88		1.17	±0.05	5.72		131.78	88.70	1374
CLM-135	135	131.63		1.70		130.31		1.55		5.72		181.90	111.03	1270
CLM-140	140	136.50		1.70		135.13		1.55		5.72		188.01	119.40	1186
CLM-150	150	146.25	±0.18	1.70	+0.10	144.83		1.55		5.72		201.44	137.07	1022
CLM-155	155	151.13		1.70	-0.00	149.66	+0.00	1.55		5.72		208.16	146.36	961
CLM-160	160	156.00		1.70		154.44	-1.14	1.55		6.73		214.87	155.96	1060
CLM-165	165	160.88		1.70		159.27		1.55		6.73		221.59	165.86	1000
CLM-170	170	165.75		1.70		164.09		1.55		6.73		228.30	176.06	945
CLM-175	175	170.63		1.70		168.92		1.55		6.73		235.02	186.57	894
CLM-180	180	175.50		1.70		173.75		1.55		6.73		241.73	197.38	848
CLM-185	185	180.38		1.70		178.57		1.55		7.62		248.45	208.50	898
CLM-190	190	185.25		1.70		183.40		1.55		7.62		255.16	219.92	854
CLM-195	195	190.13		1.70		188.22	+0.00	1.55		7.62		261.88	231.65	813
CLM-200	200	195.00		1.70		193.05	-1.52	1.55		7.62		268.59	243.68	775
CLM-210	210	204.75		2.08		202.70		1.93		8.76		351.16	268.66	802
CLM-220	220	214.50		2.08		212.36		1.93		8.76		367.88	294.85	734
CLM-230	230	224.25		2.08		222.01		1.93		8.76	±0.15	384.60	322.27	674
CLM-240	240	234.00		2.08		231.66		1.93		8.76		401.33	350.90	622
CLM-250	250	243.75	±0.20	2.08	+0.13	241.31		1.93		8.76		418.05	380.75	575
CLM-260	260	253.50		2.08	-0.00	250.97	+0.00	1.93		9.65		434.77	411.82	582
CLM-270	270	263.25		2.08		260.62	-1.78	1.93		9.65		451.49	444.11	541
CLM-280	280	273.00		2.08		270.27		1.93		9.65		468.21	477.61	505
CLM-290	290	282.75		2.08		279.92		1.93		9.65		484.94	512.34	472
CLM-300	300	292.50		2.08		289.58		1.93		9.65		501.66	548.28	443

ALL DIMENSIONS IN MILLIMETERS UNLESS OTHERWISE STATED.